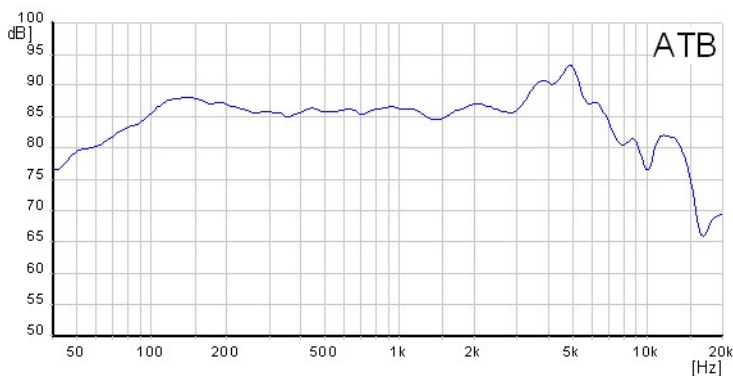


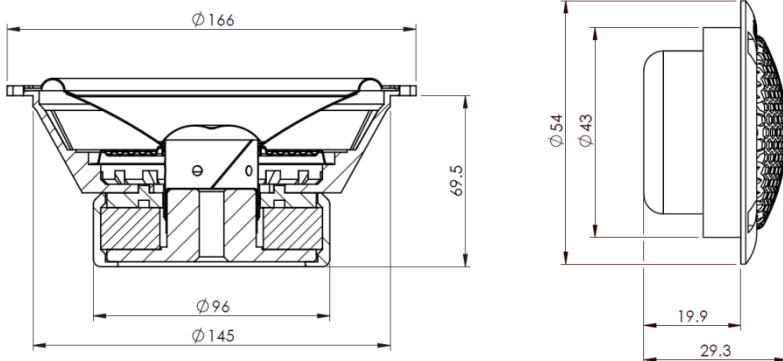
ZERO PRO 165.2 DC

Midrange specifications:

Name		HG-165ZPDC-3
DC resistance	Rdc	2,7 Ω
Nominal impedance	ZN	3 Ω
Resonance frequency	fs	52,59 HZ
Voice coil diameter		37 mm
Mechanical Q factor	Qms	3,78
Electrical Q factor	Qes	0,49
Total Q factor	Qts	0,44
Moving mass Mms		14,81 g
Effective piston area	Sd	135 cm²
Mechanical resistance	Rms	1,29 Kg/s
Compliance	Cms	0,62 mm/N
Force factor	BL	5,17 Tm
Equivalent air volume	Vas	15,83 dm³
Efficiency	η	0,45 %
SPL 2,83V/1m		93,25 dB



Cone:	Paper
Spider:	Nomex
Surround:	Rubber
Coil former:	Aluminum
Basket:	Aluminum
Dust cap:	Silk



Tweeter specifications:

Name		HG-25PV
DC resistance	Rdc	3,4 Ω
Nominal impedance	ZN	4 Ω
Resonance frequency	fs	860 HZ
Voice coil diameter		25 mm

